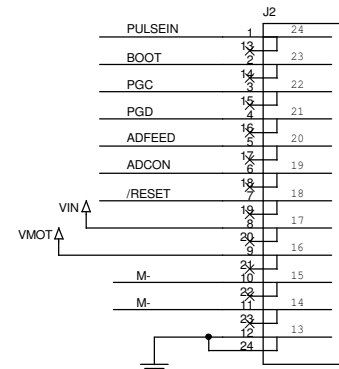
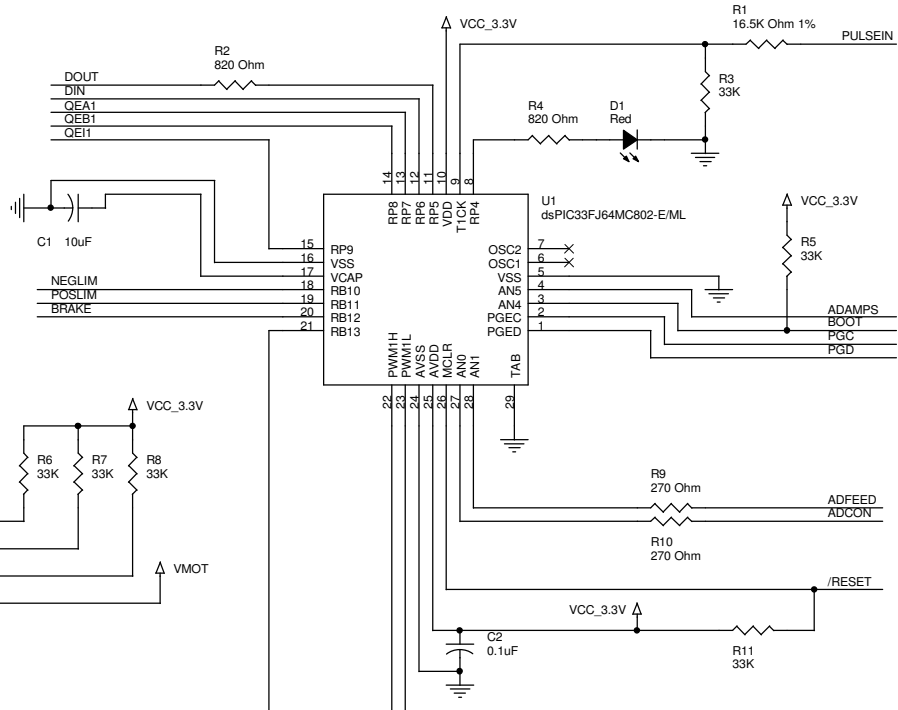
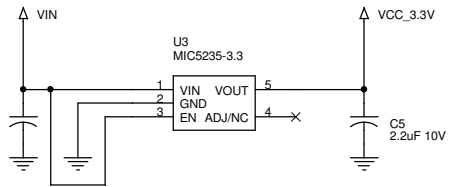
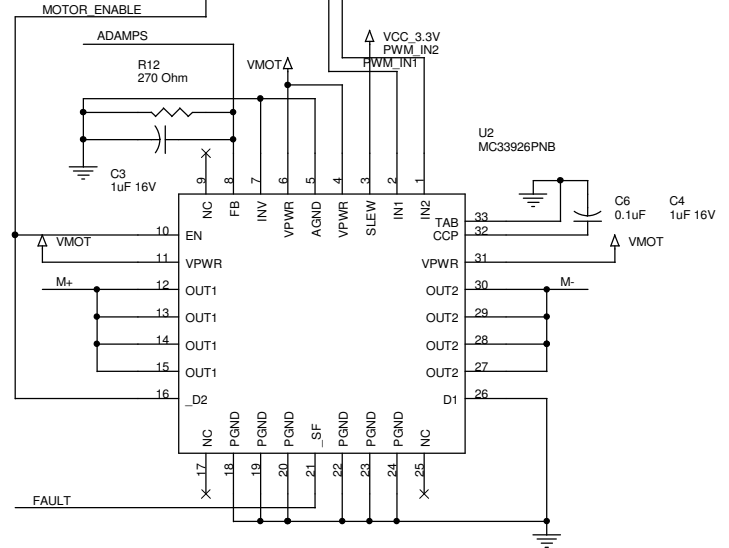


IC PINS x 12
PINS 13-24 REPRESENT
BOTTOM PADS



IC PINS x 12



Title		
Synaptron Micro		
Size	Document Number	Rev
B	NA	1
Date:	Thursday, February 09, 2012	Sheet 1 of 1