

Motion Mind Connector Board Data Sheet

Revision 1
April, 2006



SOLUTIONS CUBED, LLC
256 East First Street Chico, CA 95928
phone: 530.891.8045 fax: 530.891.1643
www.solutions-cubed.com

Copyright © 2006 Solutions Cubed, LLC

Table of Contents

1.0 Revision Log	2
2.0 Introduction	3
3.0 Electrical – Mechanical Descriptions	3
4.0 Disclaimer / Warrantee	5

List of Figures

Figure 1: Mechanical Dimensions	3
Figure 2: Mechanical Mounting	3
Figure 3: Electrical Schematic	4

1.0 Revision Log

Date	Rev	Description	By
04-06	1	Original Implementation	L. Glazner

2.0 Introduction

The Motion Mind connector board is designed to simplify the connections to the 20 pin shrouded header on the Motion Mind. This board is sold as a kit to be soldered by the customer. Connectors not included in the kit, but that might be used with the board, are listed in table 1. A variety of cooling fans and mounting techniques could be used with the Motion Mind. A location for an RS485 IC has been added. This part will only function with the Motion Mind 2 hardware.

3.0 Electrical - Mechanical Descriptions

Figure 1: Mechanical Dimensions (in mils / mounting holes for 4-40 hardware, 125 mils)

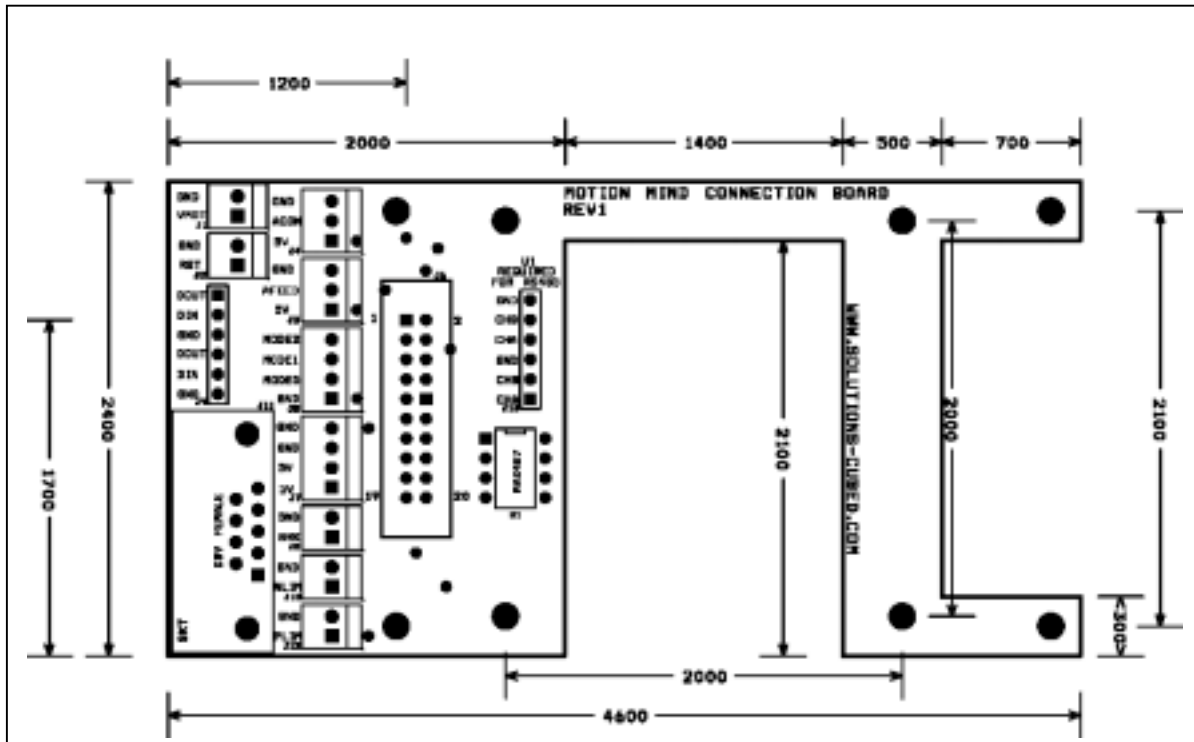


Figure 2: Mechanical Mounting

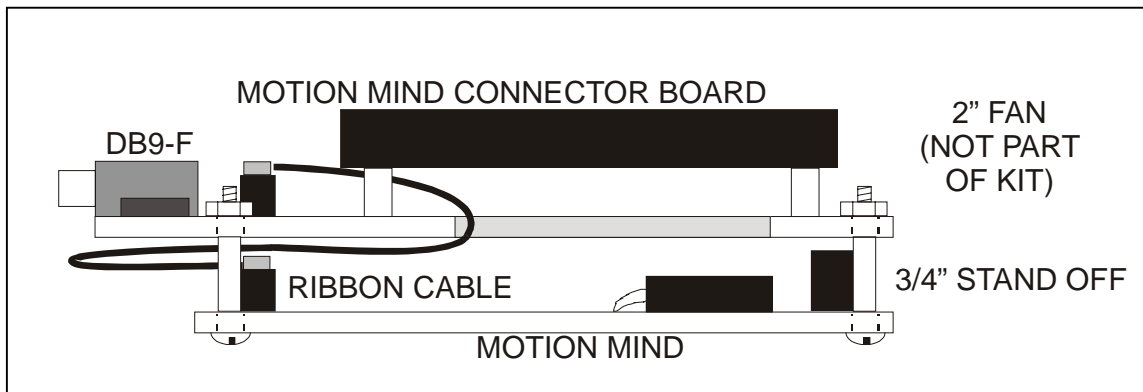


Figure 3: Electrical Schematic

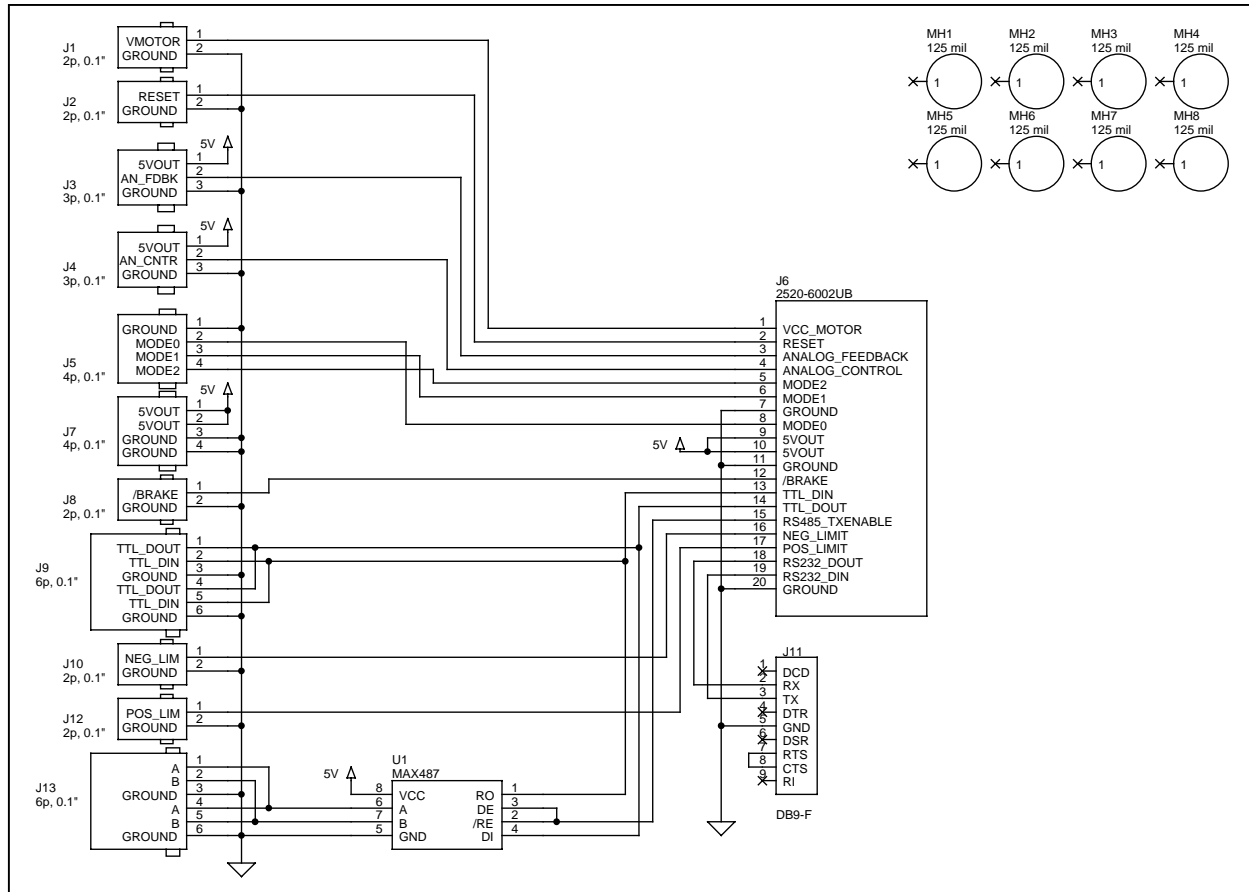


Table 1: Connector Parts

Reference	Type	Part Number
J1, J2, J8, J10, J12	2 pin 0.1" locking header	22-11-2022
J3, J4	3 pin 0.1" locking header	22-11-2023
J5, J7	4 pin 0.1" locking header	22-11-2024
J9, J13	6 pin 0.1" header	22-10-2061
J11	DB9 Female	Included in kit
J6	20 pin shrouded header	Included in kit
U1	MAX487 RS485 converter	MAX487CPA, could use socket
Ribbon Cable	Ribbon Cable	Included in kit

4.0 Disclaimer / Warrantee

Disclaimer of Liability and Accuracy: Information provided by Solutions Cubed is believed to be accurate and reliable. However, Solutions Cubed assumes no responsibility for inaccuracies or omissions. Solutions Cubed assumes no responsibility for the use of this information and all use of such information shall be entirely at the user's own risk.

Life Support Policy: Solutions Cubed does not authorize any Solutions Cubed product for use in life support devices and/or systems without express written approval from Solutions Cubed.

Warrantee: Solutions Cubed warrants all Motion Mind motor control modules against defects in materials and workmanship for a period of 90 days. If you discover a defect, we will, at our option, repair or replace your product or refund your purchase price. This warrantee does not cover products that have been physically abused or misused in any way.